

USER AND INSTALLATION MANUAL

MAG:CFX®

ENGLISH

/SUPERBLASTER II.®



CONFETTI FX

PART02105

rev 01-00

DISCLAIMER

⚠ WARNING

Read this manual carefully before installing and/or using this product. Failure to read the manual and to follow the printed instructions may lead to personal injury and/or damage to the product.

© 2022 MAGICFX®
All rights reserved.

Nothing from this publication may be copied, reproduced and/or published by means of printing, photocopying or by any other means, without the prior written approval of MAGIC FX.

MAGIC FX reserves the right to modify specifications stated in this manual.

TRADEMARKS

Any brand names mentioned in this manual are registered trademarks of their respective owners.

LIABILITY

MAGIC FX accepts no liability for claims from third parties arising from unauthorised use, use other than that stated in this manual, and use other than in accordance with the General Conditions registered at the Chamber of Commerce.

We further refer to the General Conditions. These are available on request, free of charge.

Although considerable care has been taken to ensure a correct and comprehensive description of all relevant components, the manual may nonetheless contain errors and inaccuracies.

Should you detect any errors or inaccuracies in the manual, we would be grateful if you would inform us. This helps us to further improve our documentation.

TABLE OF CONTENTS

Disclaimer	2
Trademarks	2
Liability	2
Foreword	4
Language	4
Revision table	4
1 Meet the MAGICFX® SUPERBLASTER III!	5
1.1 Main parts	6
1.2 Technical data	7
1.3 Accessories	7
1.4 Product identification	8
1.5 Confetti	8
2 Blast safely!	9
2.1 General safety rules	9
2.2 CO ₂	9
2.3 Indoor use	10
2.4 Rigging	10
2.5 Noise level	10
2.6 Safety symbols	11
2.7 Precautions for operation	11
3 Let's blast!	13
3.1 Install the machine	13
3.2 Fill with confetti and blast!	20
3.3 Replace a CO ₂ cylinder	22
3.4 Clean up	25
4 Troubleshooting	30
5 Maintenance	30
6 EC Declaration of Conformity	31

FOREWORD

Congratulations! You have bought a great new product from MAGIC FX.

This manual contains all information required for the intended use of the equipment. Deviation from the described intended use can result in a hazardous situation and/or property damage.

This manual includes notes and warnings on safe operation of the equipment. These notes and warnings are accompanied by the following icons. Read them attentively!

⚠ DANGER

Indicates a hazardous situation that, if not avoided, will result in death or serious injury. This signal word is to be limited to the most extreme situations.

⚠ WARNING

Indicates a hazardous situation that, if not avoided, could result in death or serious injury.

⚠ CAUTION

Indicates a hazardous situation that, if not avoided, could result in minor or moderate injury.

NOTICE

Indicates information considered important, but not hazard-related (e.g. messages relating to property damage).

LANGUAGE

This document contains the original instructions in English. In case you require other languages please contact MAGIC FX.

REVISION TABLE

Document nr	Revision	Date	Description	Authored by	Checked by
PART02105	01-00	13-01-2022	Initial release	NE	LL

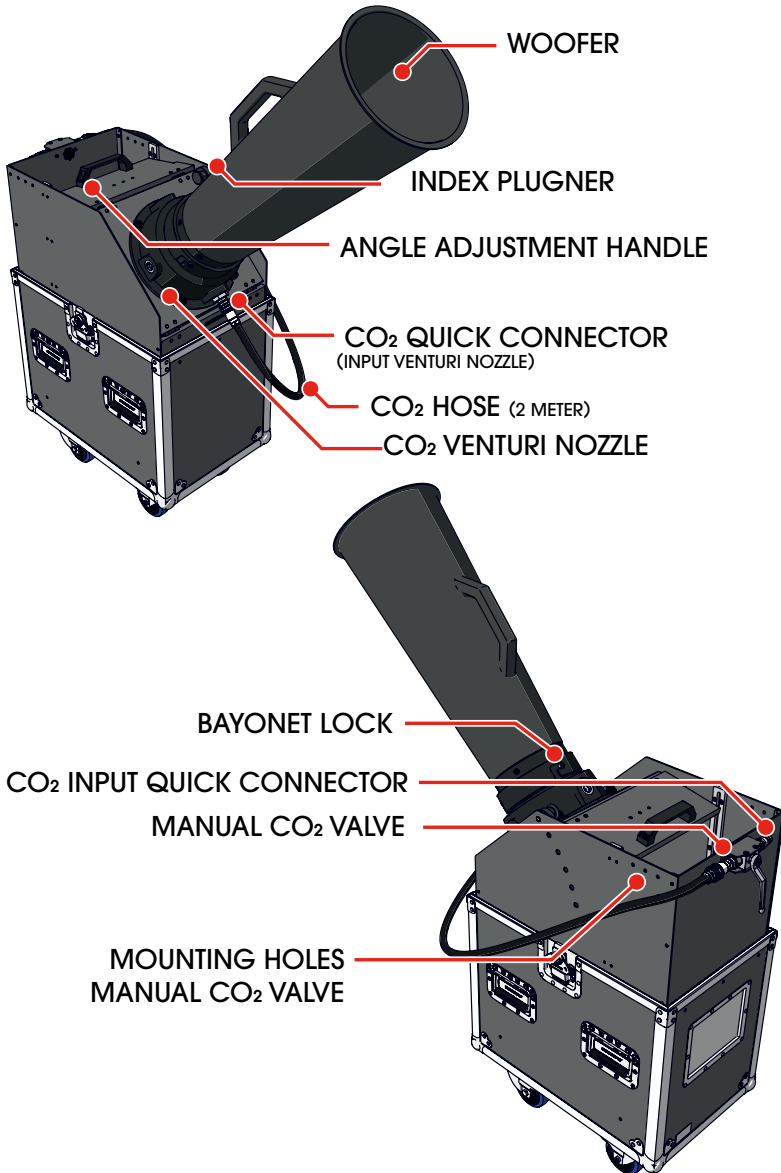
1 MEET THE MAGICFX® SUPERBLASTER II!

The MAGICFX® SUPERBLASTER II is a special effects machine that blow confetti into the air with pressurised liquid CO₂.

The MAGICFX® SUPERBLASTER II is equipped with a CO₂ powered woofer. CO₂ is blown into the woofer through small holes. This creates a Venturi effect that continuously draws the confetti from the hopper, out of the woofer and into the air. The effect is accompanied by a strong hissing sound. If liquid CO₂ is applied, a white plume of smoke will be visible.

The CO₂ supply is controlled by hand with the CO₂ valve. To keep the effect going the operator must continuously fill the hopper with confetti.

1.1 MAIN PARTS



Main parts

1.2 TECHNICAL DATA

Product	Product Name	MAGICFX® SUPER BLASTER II	
	Product Code	MFX0804	
	Product Type	CONFETTI FX	
Main Dimensions	Length	598 mm	23.5 in
	Width	398 mm	15.7 in
	Height	933mm	36.7 in
Weight	Empty weight	46 kg	101.4 lb
Environment	Minimum Temperature	-20 °C	-4 °F
	Maximum Temperature	50 °C	122 °F
	Humidity (Relative)	20% to 90% (non condensing)	
Controlling	Control Options	Manual valve	
Usage	Consumable(s)	MAGICFX® CONFETTI	
	Propellant	Liquid or Gaseous CO ₂	
	Propellant Connector	CO ₂ Quick Connector 3/8"	
	Propellant Consumption	0.5L/s	

Technical data

1.3 ACCESSORIES

Code	Product	Included
MFX1114	CO ₂ High Pressure Hose 3/8 Male - Female, 1.25M	
MFX1105	CO ₂ High Pressure Hose 3/8 Male - Female, 2M	X **
MFX1106	CO ₂ High Pressure Hose 3/8 Male - Female, 3M	
MFX1108	CO ₂ High Pressure Hose 3/8 Male - Female, 10M	
MFX1109	CO ₂ High Pressure Hose 3/8 Male - Female, 15M	
MFX1110	CO ₂ 90 Degrees Connector 3/8	
MFX1103	CO ₂ Bottle to Hose Connector	
MFX1115	CO ₂ Bottle to Hose Connector 90 Degrees	

Accessories

Please contact MAGIC FX for additional possibilities.

** Hose between CO₂ venturi nozzle and manual CO₂ valve.

1.4 PRODUCT IDENTIFICATION



Type plate

1.5 CONFETTI

The MAGICCFX® SUPERBLASTER II can be set in 7 different angles between 0° and 45°. The output height and output distance depend on the type of confetti and the set angle. The maximum load per blast also depends on the type of confetti. Check the following table.

Type of confetti	Max. load per blast	Output height	Output distance
Metallic confetti	20 kg	12 m	25 m
Paper confetti	10 kg	12 m	25 m
Snow/Powder confetti	5 kg	12 m	25 m

Confetti types and related loads and output

Type of confetti	CO ₂ Throughput	Capacity
MAGICCFX® CONFETTI	100%	10 - 15 kg per minute

Confetti types and related loads and output

NOTICE

Wind and other weather circumstances will influence the output height and output distance of the confetti. The given values are estimated values.

2 BLAST SAFELY!

The MAGICFX® SUPERBLASTER II has been designed and constructed in such a manner that it can be used safely. This applies to the use, the circumstances and the regulations as described in this documentation. Reading this documentation and following the instructions are therefore necessary for everyone who works with the MAGICFX® SUPERBLASTER II.

The MAGICFX® SUPERBLASTER II must be used in surroundings that:

- Have a stable temperature of between -20 and 50°C.
- Have a relative humidity degree between 20% and 90% (non condensing).
- Are free of dust, corrosive gases and high concentrations of organic vapours.
- Are not situated in the vicinity of a source of vibration.

2.1 GENERAL SAFETY RULES

- Only authorised persons may work with the MAGICFX® SUPERBLASTER II.
- Do not use the MAGICFX® SUPERBLASTER II if there are people or animals in the direct output.
- Make sure that children, unauthorised people and animals do not obtain access to the MAGICFX® SUPERBLASTER II.
- Do not remove any safeguards, safety caps and safety symbols.
- All required safety devices must be in good condition and function properly.
- Ensure sufficient lighting of the surroundings.
- Keep the workplace clean.

2.2 CO₂

The MAGICFX® SUPERBLASTER II uses liquid or gaseous CO₂ as input. The application of CO₂ involves serious risks. Make sure that you are well informed on these risks before installation and/or operation. Always use approved CO₂ cylinders, hoses and connections. Always consult your CO₂ supplier for regulations and instructions on safe installation and use.

MAGIC FX is not liable for unsafe situations, accidents and damage that are the result of incorrect working with CO₂ gas and CO₂ cylinders.

⚠ WARNING

Inadequate installation and/or operation of a CO₂ powered machine and CO₂ cylinders can lead to death or serious injury. Always follow the instructions from this manual, from your CO₂ supplier and from local authorities.

2.3 INDOOR USE

The MAGICFX® SUPERBLASTER II is designed for outdoor use and use in well-ventilated indoor spaces. When used indoors, make sure you take the necessary preparations. These preparations could include, but are not limited to:

- Consulting your CO₂ supplier.
- Calculating the reduction of oxygen for the indoor space.
- Checking the location for spots where CO₂ could accumulate and taking preventive actions.
- Installing CO₂ monitoring devices that will warn for hazardous CO₂ levels.

⚠ DANGER

Do not use the MAGICFX® SUPERBLASTER II in poorly ventilated confined spaces. Exposure to high levels of CO₂ gas can cause symptoms like headache, nausea, loss of consciousness or even death.

2.4 RIGGING

Please follow the European and national guidelines for safe rigging and trussing.




2.5 NOISE LEVEL

The environmental noise level as measured at the ear is 97 dB(A). This level of noise is only reached during the short instances that the CO₂ output is active. Always wear hearing protection when you are within 5 meters of the machine during operation.

⚠ WARNING

Do not operate the MAGICFX® SUPERBLASTER II close to yourself or to others for a long period of time. If you experience any hearing loss or ringing in the ears, you should immediately stop using the unit.

2.6 SAFETY SYMBOLS

Symbol	Meaning	Position
	Read the manual carefully before use!	Back of the machine
	Wear certified ear protection!	
	Frostbite hazard! Cold surface. Do not touch the venturi nozzle.	Near the venturi nozzle

Safety symbols

2.7 PRECAUTIONS FOR OPERATION

WARNING

Using a damaged or an improper installed machine can lead to death, serious injury or property damage. Always inspect the machine thoroughly before operation.

WARNING

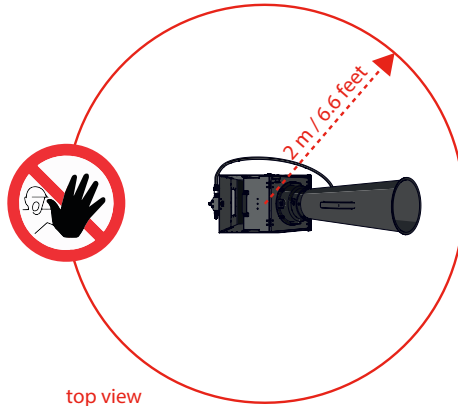
Missing or obscured safety symbols on the machine can lead to death, serious injury or property damage. Make sure all safety symbols are correctly in place and visible, see Section 2.6.

WARNING

Make sure there are no objects near the output that can be damaged or overthrown by the MAGICFX® SUPERBLASTER II.

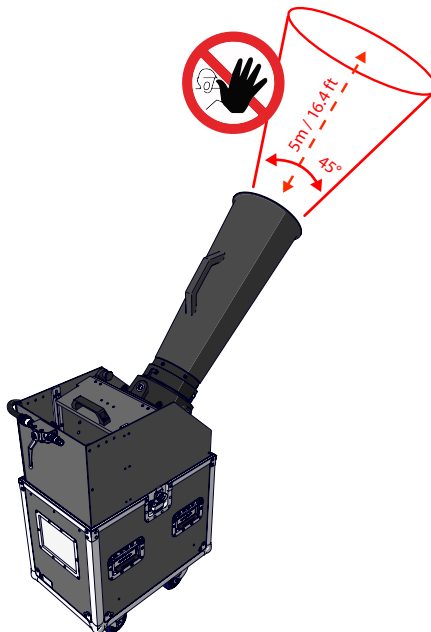
⚠ WARNING

Always create a safety zone around the machine with a radius of 2 meters / 6.6 feet. Make sure unauthorized personal, animals and objects are clear of this area. Not doing so can result in death or serious injury.



top view

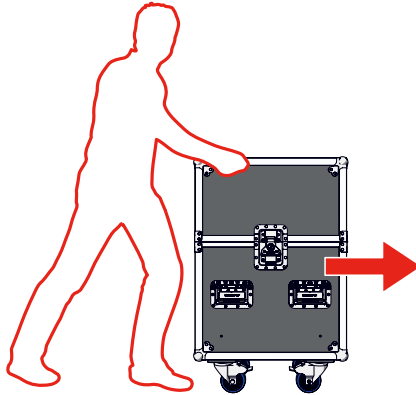
Always keep the output zone as shown in the image below clear of all people, animals and objects. Not doing so results in death or serious injury.



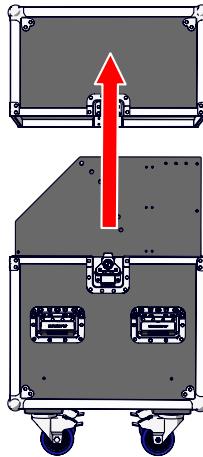
3 LET'S BLAST!

3.1 INSTALL THE MACHINE

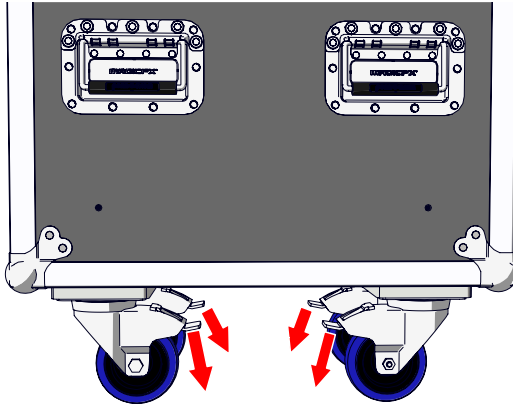
- 1 Bring the cased MAGICFX® SUPERBLASTER II to the desired location



- 2 Unlock the case and remove the top cover.



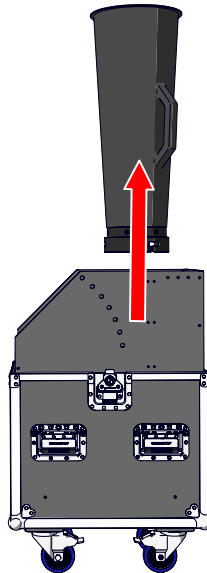
3 Set the brakes



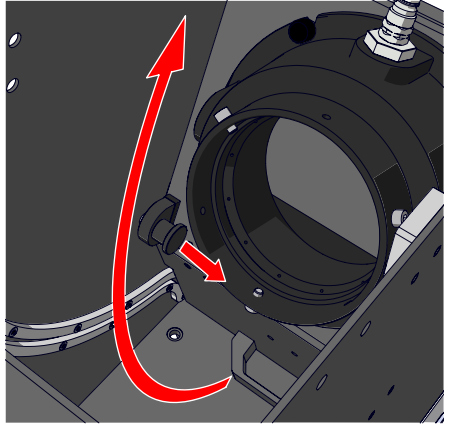
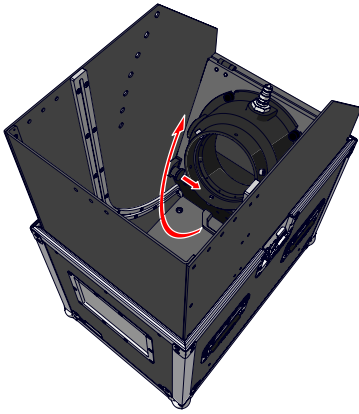
⚠ WARNING

Make sure that all the brakes are set to avoid hazardous situations.

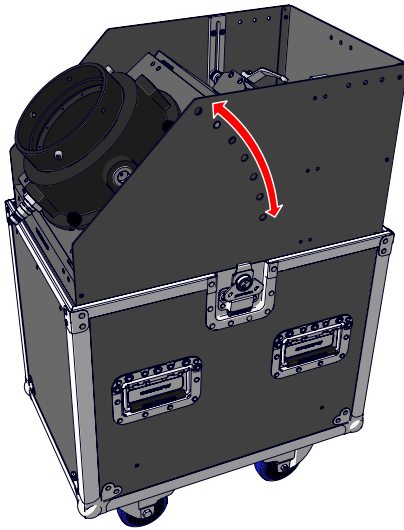
4 Take the woofer out of the flight case



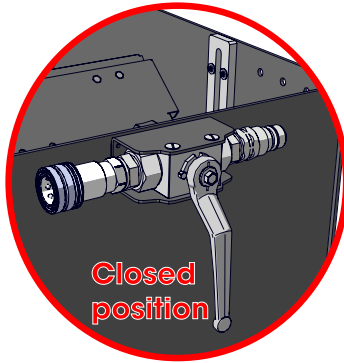
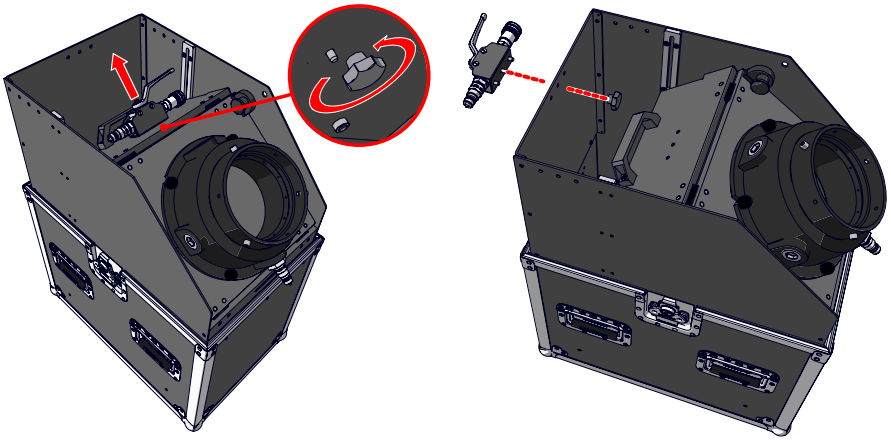
-
- 5 Pull the index plunger and turn the venturi nozzle upwards by pulling on the plastic handle.



-
- 6 Secure the plunger in one of the seven positions



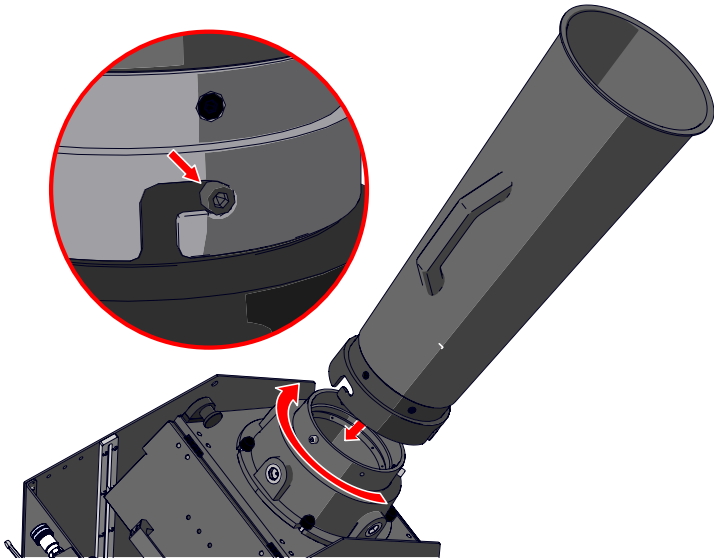
-
- 7 Loosen the manual CO₂ valve by turning the star-knob (underneath the panel) counter-clockwise. Mount it back on your preferred location. (at the back or one of the sides).



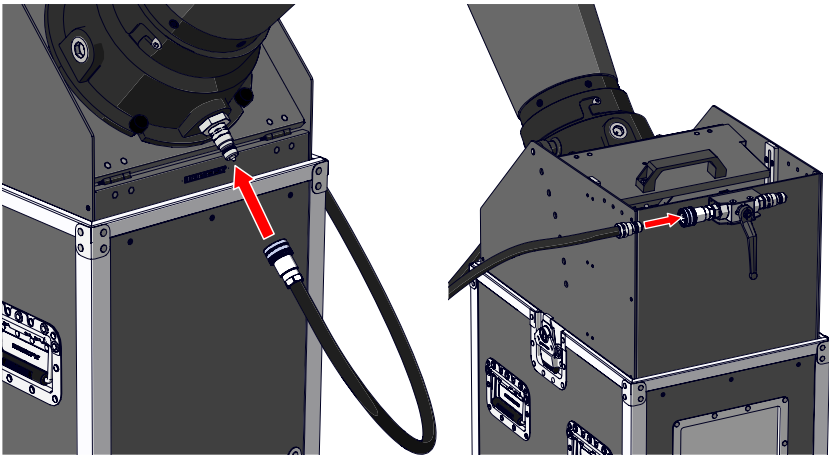
⚠ WARNING

Make sure that the manual CO₂ valve is in CLOSED position after mounting.

-
- 8 Place the woofer firmly onto the bayonet socket of the hopper until it locks in place.



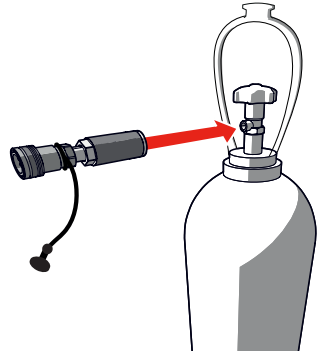
-
- 9 Connect the CO₂ hose to the CO₂ valve and the other end to the base.



⚠ WARNING

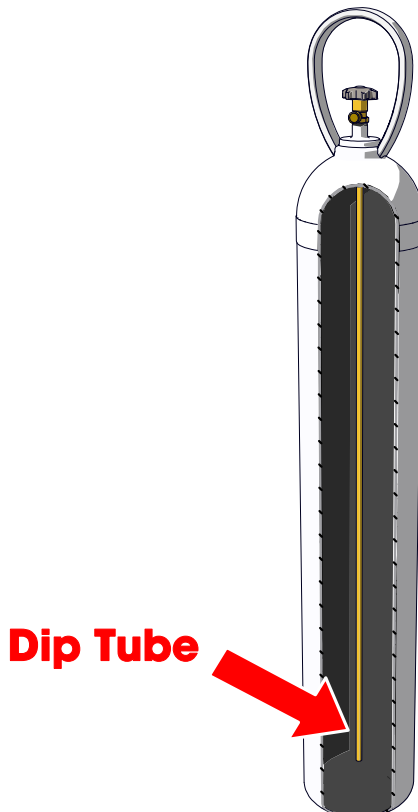
Make sure that the manual CO₂ valve is in CLOSED position.

-
- 10** Connect a 'CO₂ Bottle to Hose Connector' on the CO₂ cylinder.

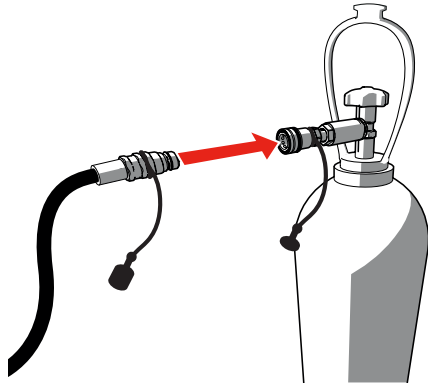


NOTICE

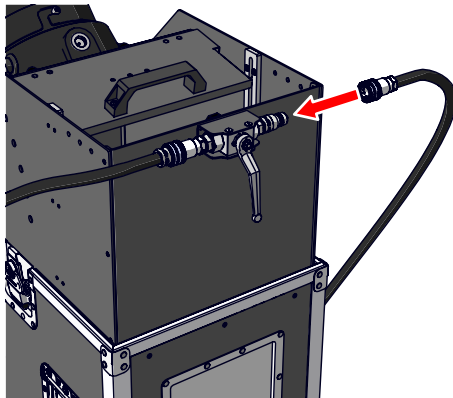
White plumes can only be created with CO₂ Bottles that have a dip tube. Consult your CO₂ supplier if you need more information about your bottle.



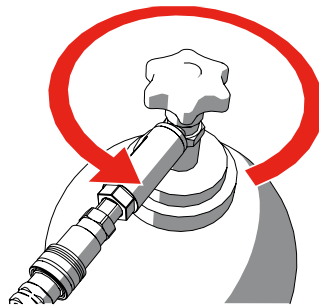
-
- 11** Connect the CO₂ hose to the 'CO₂ Bottle to hose connector' on the CO₂ cylinder.



-
- 12** Connect the other end of the CO₂ hose to the manual valve on the SUPERBLASTER II



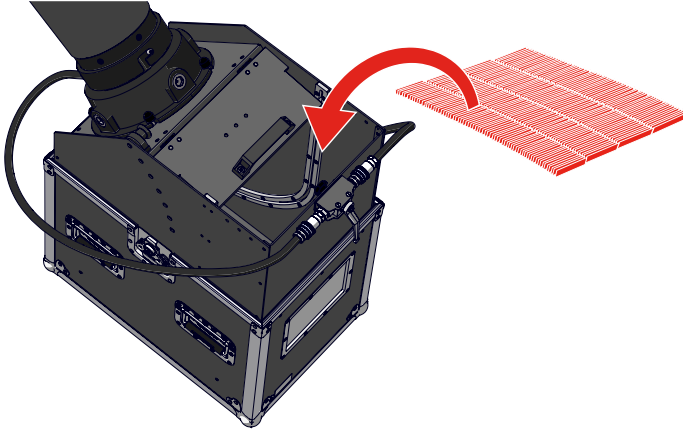
-
- 13** Open the CO₂ cylinder.



3.2 FILL WITH CONFETTI AND BLAST!

- 1 Make sure that the prescribed safety zone is free from persons and objects.
-

- 2 Fill the hopper with confetti and check Section 1.5 for the maximum amount per type of MAGICFX® confetti..



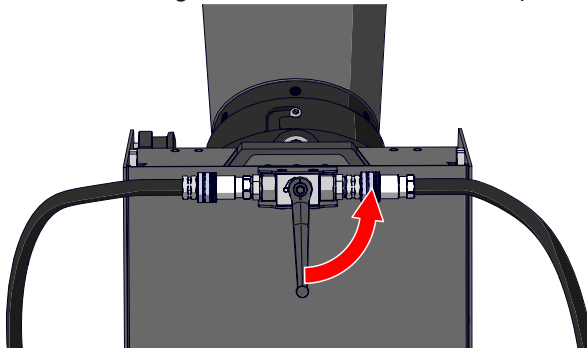
⚠ WARNING

Make sure there is only MAGICFX® confetti in the machine. Other foreign objects in the machine are not allowed. Not doing so can result in death or serious injury.

NOTICE

The MAGICFX® SUPERBLASTER II is self-emptying.

- 3 When it's time to blast, bring the manual CO₂ valve in OPEN position.



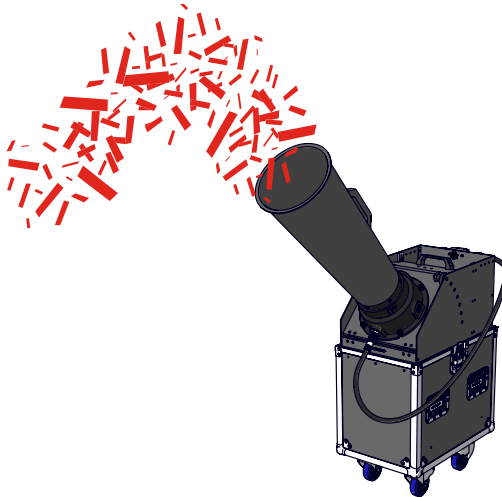
⚠ DANGER

Do not use the MAGICFX® SUPERBLASTER II in poorly ventilated confined spaces. Exposure to high levels of CO₂ gas can cause symptoms like headache, nausea, loss of consciousness or even death.

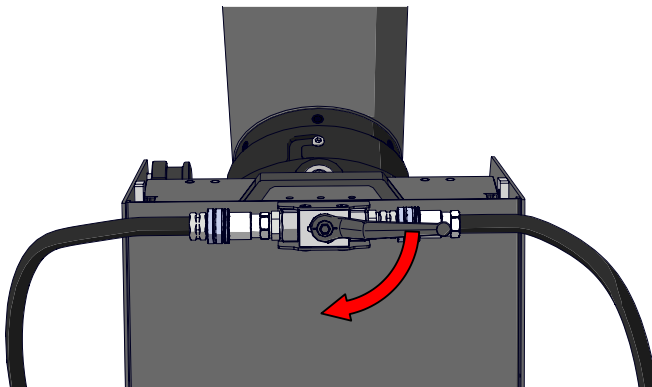


Do not touch the CO₂ Venturi Nozzle at the front of the MAGICFX® SUPERBLASTER III! The nozzle will be frozen after opening the manual CO₂ valve!

- 4 Enjoy the view!

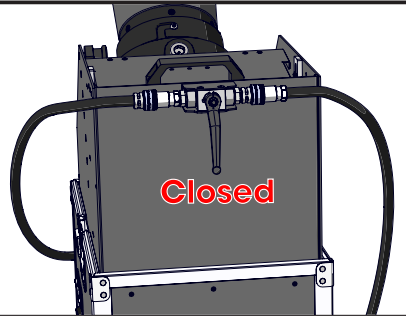


- 5 When you are finished with blasting confetti, move the manual CO₂ valve back in CLOSED position.

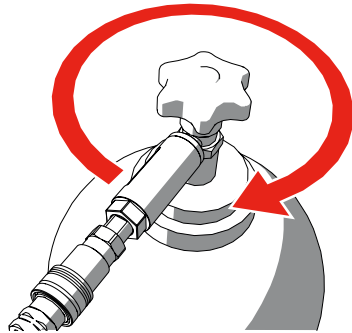


3.3 REPLACE A CO₂ CYLINDER

- 1 Make sure that the CO₂ valve is in closed position.

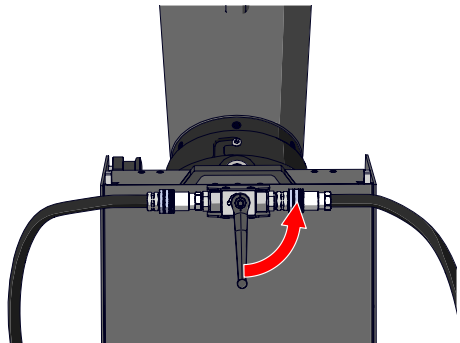


- 2 Close the connected CO₂ cylinder.

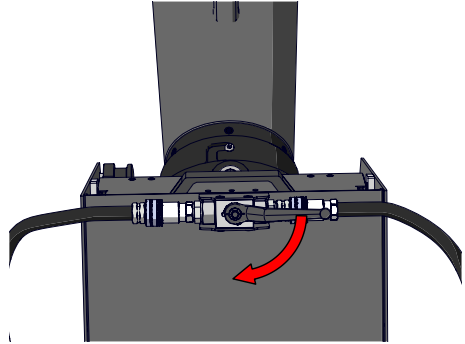


- 3 Make sure that the prescribed safety zone is free from persons and objects.
-

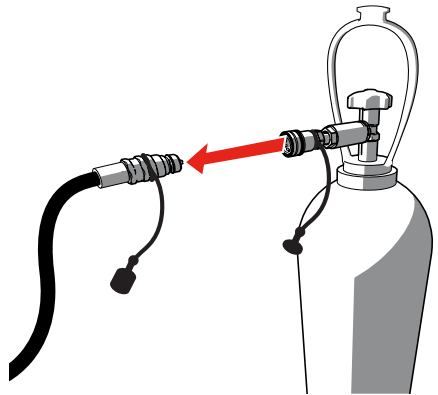
- 4 Move the 'manual CO₂ valve' in OPEN position to release the pressure that is left inside the system.



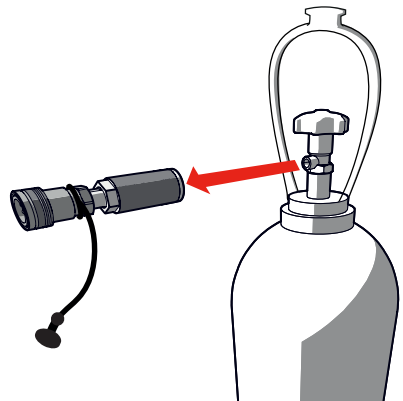
-
- 5 Move the manual CO₂ valve back in CLOSED position.



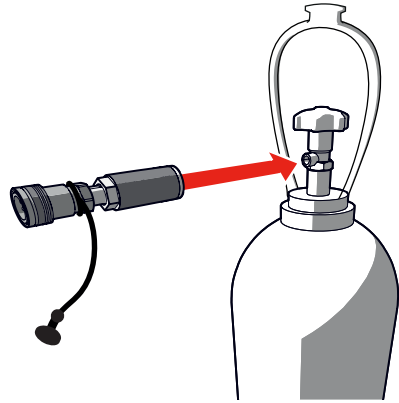
-
- 6 Disconnect the CO₂ hose from the 'CO₂ Bottle to Hose Connector' on the CO₂ cylinder.



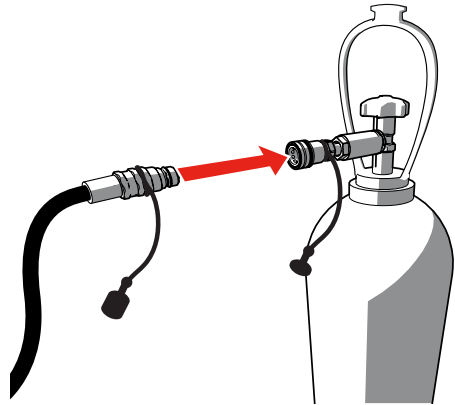
-
- 7 Remove the 'CO₂ Bottle to Hose Connector' from the cylinder.



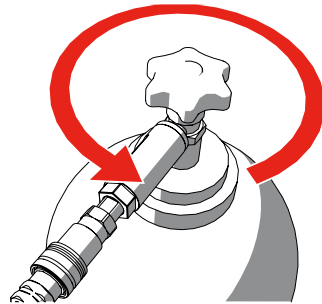
-
- 8** Connect a 'CO₂ Bottle to Hose Connector' to a new CO₂ cylinder.



-
- 9** Connect the CO₂ hose to the 'CO₂ Bottle to Hose Connector' on the new CO₂ cylinder.

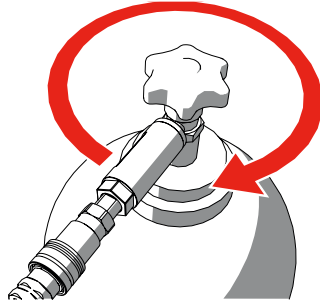


-
- 10** Open the CO₂ cylinder.



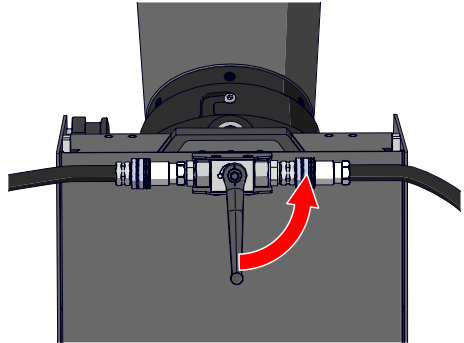
3.4 CLEAN UP

- 1 Close the connected CO₂ cylinder.

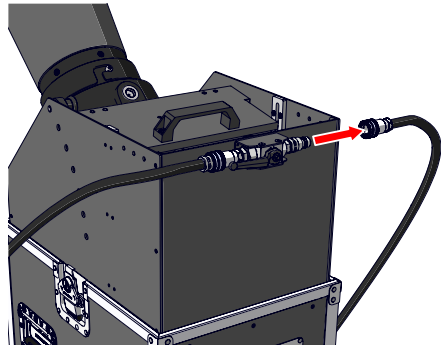


- 2 Make sure that the prescribed safety zone is free from persons and objects.
-

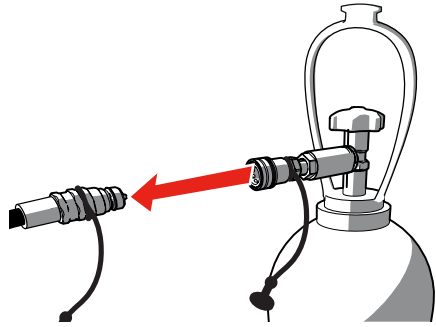
- 3 Move the manual CO₂ valve in OPEN position to release the pressure from the system.



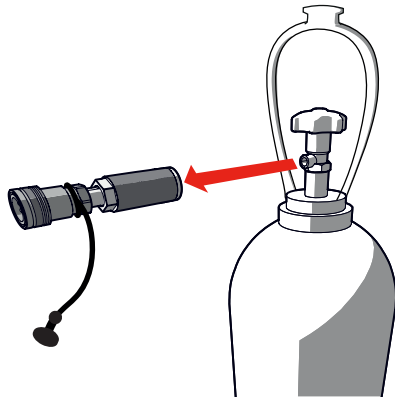
- 4 Remove the CO₂ hose.



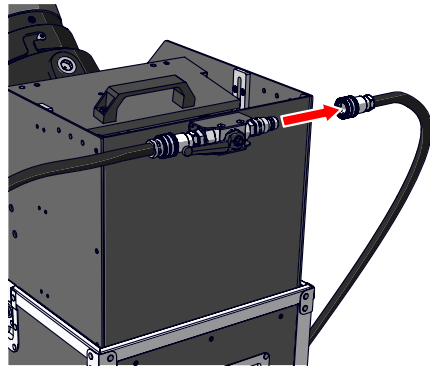
-
- 5 Disconnect the CO₂ hose from the 'CO₂ Bottle to Hose Connector' on the CO₂ cylinder.



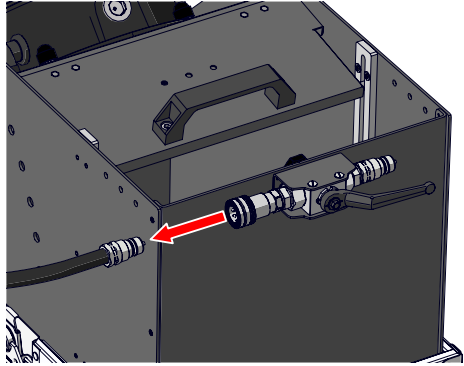
-
- 6 Remove the CO₂ Bottle to Hose Connector from the cylinder.



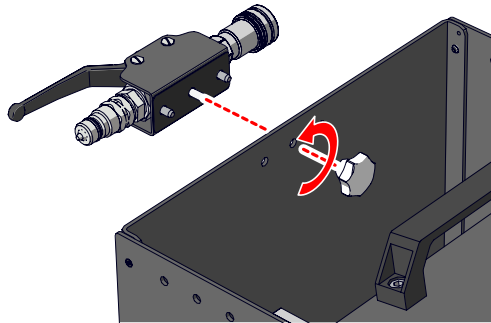
-
- 7 Remove the CO₂ input hose from the manual valve.



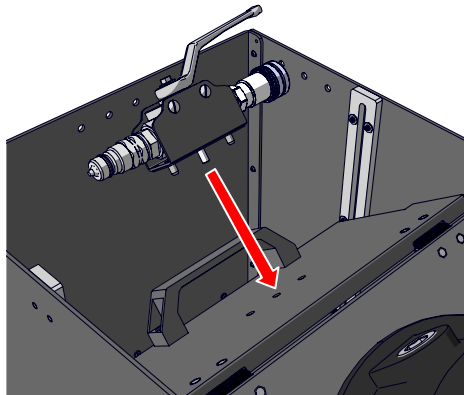
-
- 8** Remove the CO₂ output hose from the manual valve.



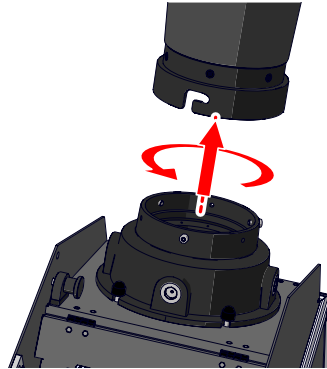
-
- 9** Disassemble the valve assembly by turning the star knob counter-clockwise.



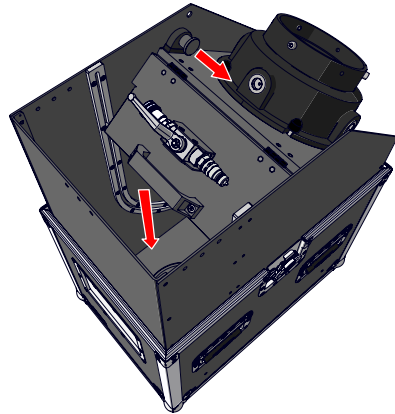
-
- 10** Assemble the valve assembly back on the handle panel with the star knob.



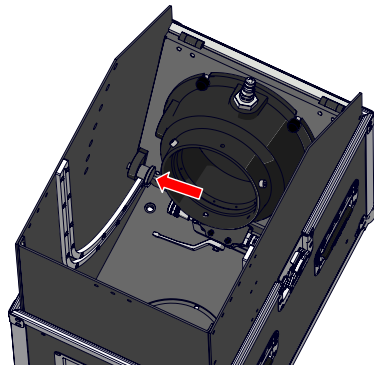
-
- 11** Disassemble the woofer by turning counter-clockwise.



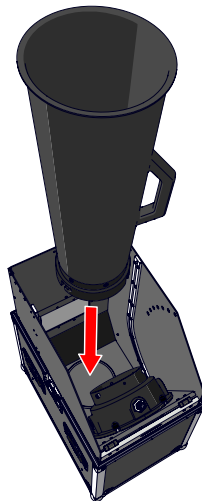
-
- 12** Grab the handle and pull the index plunger to drop the CO₂ venturi nozzle down in the flight-case.



-
- 13** When placed in storage position; Make sure that the index pin is in locking position.



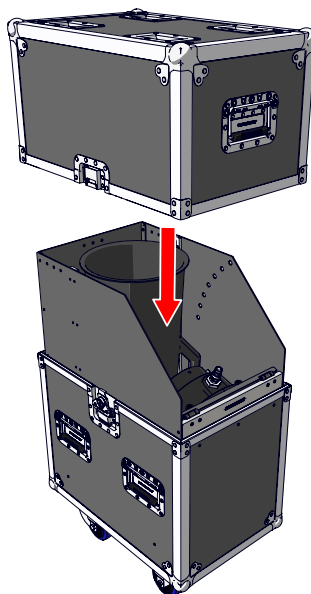
-
- 14** Remove the leftover confetti and place the woofer back in the flightcase.



NOTICE

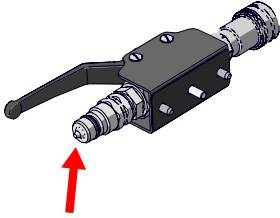
Please use the cut-out placed in the bottom for better alignment of the woofer.

-
- 15** Place and lock the top cover.



4 TROUBLESHOOTING

Always contact MAGIC FX if any malfunctions or errors occur that cannot be solved with the instructions as described in this manual.

Description	What to do	Illustration
The CO ₂ Hose cannot be connected to the manual CO ₂ valve.	Disconnect all hoses from the manual CO ₂ valve! Release the left over pressure inside the manual CO ₂ valve by pushing the pin of the quick connector.	 An illustration of a manual CO2 valve. It is a black, rectangular metal component with a handle on the left and a threaded connection on the right. A red arrow points to a small pin protruding from the bottom of the valve, which is the quick connector mentioned in the text.

5 MAINTENANCE

To achieve the maximum service life of the MAGICFX® SUPERBLASTER II you must regularly clean the MAGICFX® SUPERBLASTER II and test if it is functioning correctly.

Contact MAGIC FX if the MAGICFX® SUPERBLASTER II is not functioning correctly.

⚠ DANGER

Do not replace parts yourself; always consult MAGIC FX if necessary.

6 EC DECLARATION OF CONFORMITY

According to Annex III A Machinery Directive 2006/42/EC

MAGIC FX B.V. declares as manufacturer and composer of the technical construction file that the product with the following specifications:

Name machine : SUPERBLASTER II ®
Type : MFX0804
Voltage : N/A
Serial number : on product
Year of construction : on product

Is in conformity with the minimal safety regulations as stated in the following directive(s):

- PED 2014/68/EU category SEP
(products in this category cannot be provided with a CE-marking)

The following harmonized standards were applied:

- NEN-EN-ISO 12100:2010 Safety of machinery - General principles for design - Risk assessment and risk reduction.

Original declaration of conformity

Translation of the original declaration of conformity

Name manufacturer : MAGIC FX B.V.
Address : Schouwrooij 27, 5281 RE BOXTEL
Country : The Netherlands

CEO : B. Veroude
Date : 13-1-2022

Signature :



MAG:CFX[®]

WWW.MAGICFX.EU

