

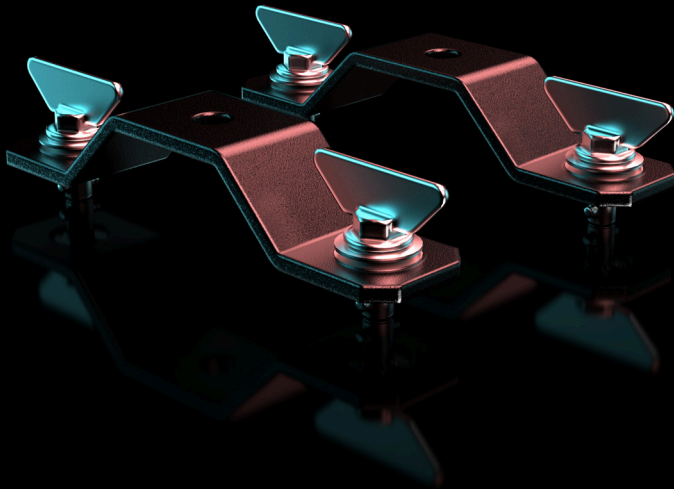
USER AND INSTALLATION MANUAL

MAG:CFX®

ENGLISH

/OMEGA BRACKET.

SET OF 2



ACCESSORIES

PART02539

REV 01-01

DISCLAIMER

⚠ WARNING

Read this manual carefully before installing and/or using this product. Failure to read the manual and to follow the printed instructions may lead to personal injury and/or damage to the product.

© 2024 MAGICFX®

All rights reserved.

Nothing from this publication may be copied, reproduced and/or published by means of printing, photocopying or by any other means, without the prior written approval of MAGIC FX.

MAGIC FX reserves the right to modify specifications stated in this manual.

TRADEMARKS

Any brand names mentioned in this manual are registered trademarks of their respective owners.

LIABILITY

MAGIC FX accepts no liability for claims from third parties arising from unauthorised use, use other than that stated in this manual, and use other than in accordance with the General Conditions registered at the Chamber of Commerce.

We further refer to the General Conditions. These are available on request, free of charge.

Although considerable care has been taken to ensure a correct and comprehensive description of all relevant components, the manual may nonetheless contain errors and inaccuracies.

Should you detect any errors or inaccuracies in the manual, we would be grateful if you would inform us. This helps us to further improve our documentation.

TABLE OF CONTENT





| | |
|--|-----------|
| Introduction | 4 |
| Target group | 4 |
| Language | 4 |
| Abbreviations | 5 |
| Revision table | 5 |
| 1. Description | 6 |
| 1.1. Main parts | 6 |
| 1.2. Technical data | 6 |
| 1.3. Product identification | 7 |
| 1.4. Accessories | 7 |
| 2. Safety | 7 |
| 2.1. General safety rules | 8 |
| 2.2. Indoor & outdoor use | 8 |
| 2.3. Rigging | 8 |
| 2.4. Safety symbols | 8 |
| 2.5. Safety warnings | 9 |
| 3. Installation | 10 |
| 4. Troubleshooting | 14 |
| 5. Maintenance | 14 |
| 6. EC Declaration of Conformity | 15 |

INTRODUCTION

Congratulations! You have bought a great new product from MAGIC FX.

This manual contains all information required for the intended use of the equipment. Deviation from the described intended use can result in a hazardous situation and/or property damage.

This manual includes notes and warnings on safe operation of the equipment. These notes and warnings are accompanied by the following icons. Read them attentively!

| | |
|--|---|
|  DANGER | Indicates a hazardous situation that, if not avoided, will result in death or serious injury. This signal word is to be limited to the most extreme situations. |
|  WARNING | Indicates a hazardous situation that, if not avoided, could result in death or serious injury. |
|  CAUTION | Indicates a hazardous situation that, if not avoided, could result in minor or moderate injury. |
|  NOTICE | Indicates information considered important, but not hazard-related (e.g. messages relating to property damage). |

TARGET GROUP

This manual is targeted at authorised personnel in the event industry that install and operate the Omega Bracket (Set of 2).

Authorised personnel are those who:

- Are appointed by their supervisor to install and/or operate the Omega Bracket (Set of 2).
- Are trained in recognizing and avoiding hazards related to SFX applications at events.
- Are familiar with and abide by the applicable local, national and international laws and regulations.

LANGUAGE

This document contains the original instructions in English. In case you require other languages please contact MAGIC FX.

ABBREVIATIONS

| Abbreviation | Description |
|--------------------------|-----------------------------------|
| SFX | Special effects |
| ECO2JET® | MAGICFX® ECO2JET® |
| Omega Bracket (Set of 2) | MAGICFX® Omega Bracket (Set of 2) |

Abbreviations

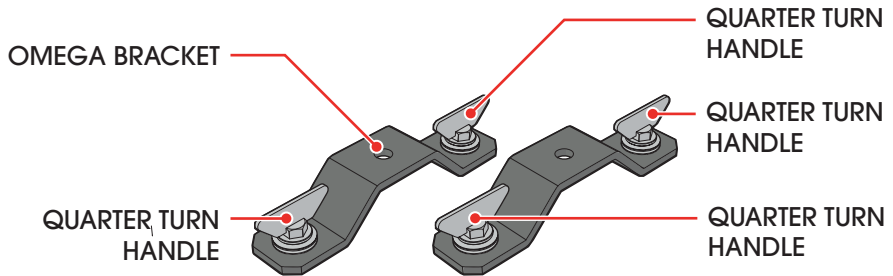
REVISION TABLE

| Doc nr | Revision | Date | Description | Author | Approved |
|-----------|----------|------------|--|--------|----------|
| PART02539 | 01-00 | 22-04-2024 | Initial release | MBO | NvdE |
| PART02539 | 01-01 | 02-05-2024 | Added rigging notice Updated product label Updated DoC | MBO | NvdE |

1. DESCRIPTION

The Omega Bracket (C-T-C 140 mm) Set of 2 is intended for fastening a wide range of products. In combination with a Quick Trigger or Half Coupler, it is ideal for truss mounting.

1.1. MAIN PARTS



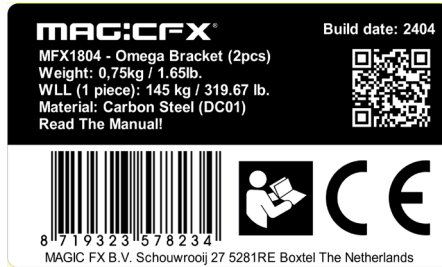
Main parts

1.2. TECHNICAL DATA

| | | | |
|------------------------|----------------------|--|------------|
| Product | Product Name | MAGICFX® Omega Bracket (C-T-C 140 mm) - Set of 2 | |
| | Product Code | MFX1804 | |
| | Product Type | Accessories | |
| Main Dimensions | Length | 180 mm | 7.1 in |
| | Width | 40 mm | 1.6 in |
| | Height | 45 mm | 1.8 in |
| Weight | Empty Weight | 0.75 kg | 1.65 lbs |
| | Packaged Weight | 1.14 kg | 2.5 lbs |
| Work Load Limit | WLL (single bracket) | 145 kg | 319.67 lbs |
| Environment | Minimum Temperature | - 20 °C | - 4 °F |
| | Maximum Temperature | 50 °C | 122 °F |
| | Humidity (Relative) | 20 to 90 % (non-condensing) | |

Technical data

1.3. PRODUCT IDENTIFICATION



Type plate

1.4. ACCESSORIES

| Code | Product | Included |
|--------|--|----------|
| MF1804 | Doughty Quick Trigger Clamp (100 kg) M10 | |
| MF1806 | Doughty Half Coupler (100 kg) M10 | |

Accessories

Please contact MAGIC FX for additional possibilities.

NOTICE

For information about the accessories of the ECO2JET® (MF1801), refer to the ECO2JET® User and Installation Manual (PART02302).

2. SAFETY

The Omega Bracket (Set of 2) has been designed and constructed in such a manner that it can be used safely. This applies to the use, the circumstances and the regulations as described in this documentation. Reading this documentation and following the instructions are therefore necessary for everyone who is authorised to work with the Omega Bracket (Set of 2).

The Omega Bracket (Set of 2) must be used in surroundings that:

- Have a reasonably stable temperature of between -20 and 50 °C.
- Have a relative humidity degree between 20 % and 90 % (non condensing).
- Are free of dust, corrosive gases and high concentrations of organic vapours.
- Are free of chlorine fumes.
- Are not situated in the vicinity of a source of vibration.

2.1. GENERAL SAFETY RULES

- Only authorised persons may work with the Omega Bracket (Set of 2).
- Do not use the Omega Bracket (Set of 2) if alterations have been made other than by or on behalf of MAGIC FX.
- The Omega Bracket (Set of 2) may not be used when damaged or if it has fallen before.
- The Omega Bracket (Set of 2) needs to be inspected by qualified personnel before use.
- Make sure that children, unauthorised people and animals do not obtain access to the Omega Bracket (Set of 2).
- Do not remove or bypass any safeguards and safety symbols.
- All required safety devices must be in good condition and function properly.
- Ensure sufficient lighting of the surroundings.
- Keep the workplace clean.

2.2. INDOOR & OUTDOOR USE

The Omega Bracket (Set of 2) is designed for outdoor use and use in well-ventilated indoor spaces.

The Omega Bracket (Set of 2) can withstand rain.

2.3. RIGGING

Please follow the European and national guidelines for safe rigging and trussing.


⚠ WARNING

MAGIC FX is not responsible for any rigging equipment and accessories provided by third party manufacturers. Verify that the Work Load Limit (WLL) of all additional hardware rigging accessories is respected.

NOTICE

In compliance with Machinery Directive 2006/42/EG, our product incorporates a safety factor of 7 against rupture. This factor is crucial for applications involving machinery used above people, ensuring enhanced safety for users and bystanders.

2.4. SAFETY SYMBOLS

| Symbol | Meaning | Position |
|---|---------------------------------------|-----------------------|
|  | Read the manual carefully before use! | Inside of the bracket |

Safety symbols

2.5. SAFETY WARNINGS

⚠ WARNING

Using a damaged or an improper installed Omega Bracket (Set of 2) can lead to death, serious injury or property damage. Always inspect the Omega Bracket (Set of 2) thoroughly before operation.

⚠ WARNING

Do not use the Omega Bracket (Set of 2) if alterations have been made other than by or on behalf of MAGIC FX.

⚠ WARNING

The Omega Bracket (Set of 2) is specifically designed for MAGIC FX equipment. Do not use the Omega Bracket (Set of 2) with any third-party equipment.

⚠ WARNING

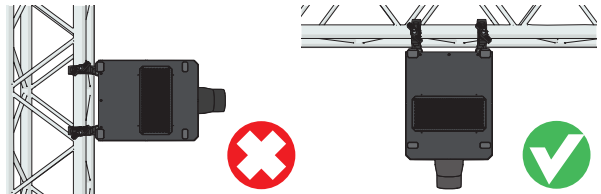
Missing or obscured safety symbols on the machine can lead to death or serious injury. Make sure all safety symbols are correctly in place, see section 2.4.

⚠ WARNING

A poorly mounted machine may come loose when the machine is operated. This can lead to death, serious injury and/or property damage. Always inspect if the machine is mounted firmly and correctly as according to the instructions in this manual.

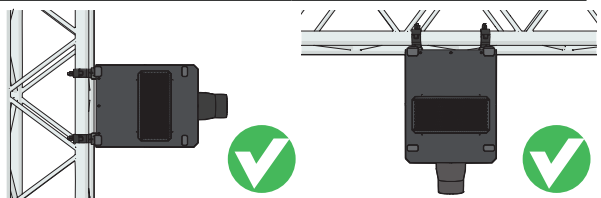
⚠ CAUTION

Do not mount a machine to the truss sideways with the Omega Brackets in combination with Doughty Quick Trigger Clamps. Only suspend the machine from the truss with the Quick Trigger Clamps.



⚠ CAUTION

You can mount a machine to the truss sideways using the Omega Brackets in combination with Doughty Half Couplers. This is only permitted in static situations, not in motion truss!

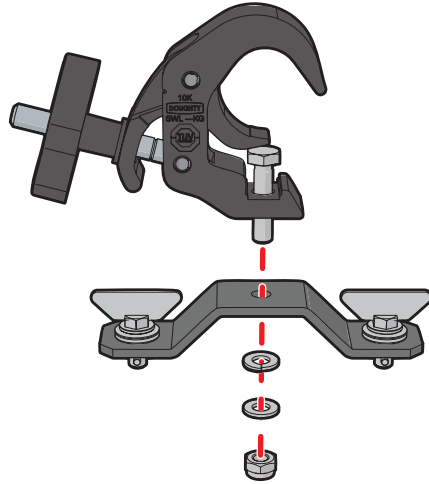


3. INSTALLATION

1. Mount clamps (MFX3104 or MFX3106) to the Omega Brackets (MFX1804) using the provided bolts and nuts.

Materials needed:

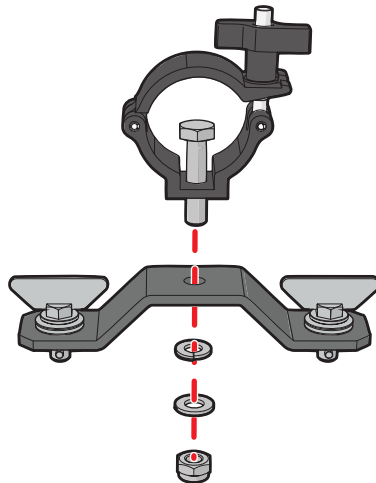
- 2x Doughty quick trigger clamp (MFX3104)
- 2x M10x30 Bolt
- 2x M10 Spring washer
- 2x M10 Washer
- 2x M10 Locknut



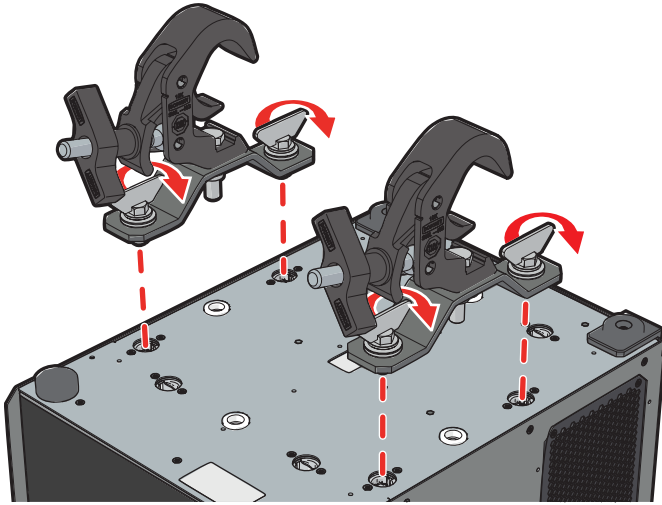
A Doughty Quick Trigger Clamp (100 kg) M10**B** Doughty Half Coupler (100 kg) M10

Materials needed:

- 2x Doughty half coupler (MFX3106)
- 2x M10x30 Bolt
- 2x M10 Spring washer
- 2x M10 Washer
- 2x M10 Locknut



2. Attach the Omega Brackets to the quarter turn receptacles in the machine.
-



⚠ WARNING

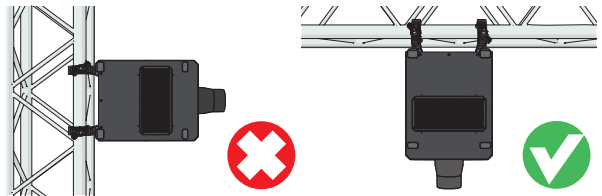
Make sure the quarter turn snaps into place correctly to ensure a tight connection.

NOTICE

The machine depicted is an example. The machine you install the Omega Brackets to might differ.

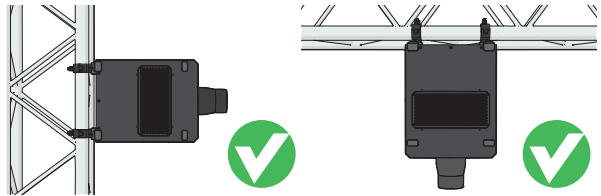
⚠ CAUTION

Do not mount a machine to the truss sideways with the Omega Brackets in combination with Doughty Quick Trigger Clamps. Only suspend the machine from the truss with the Quick Trigger Clamps.



⚠ CAUTION

You can mount a machine to the truss sideways using the Omega Brackets in combination with Doughty Half Couplers. This is only permitted in static situations, not in motion truss!



⚠ CAUTION

Take the recoil of the installed machine into account. Make sure the construction is prepared for the counter force of firing the effect.

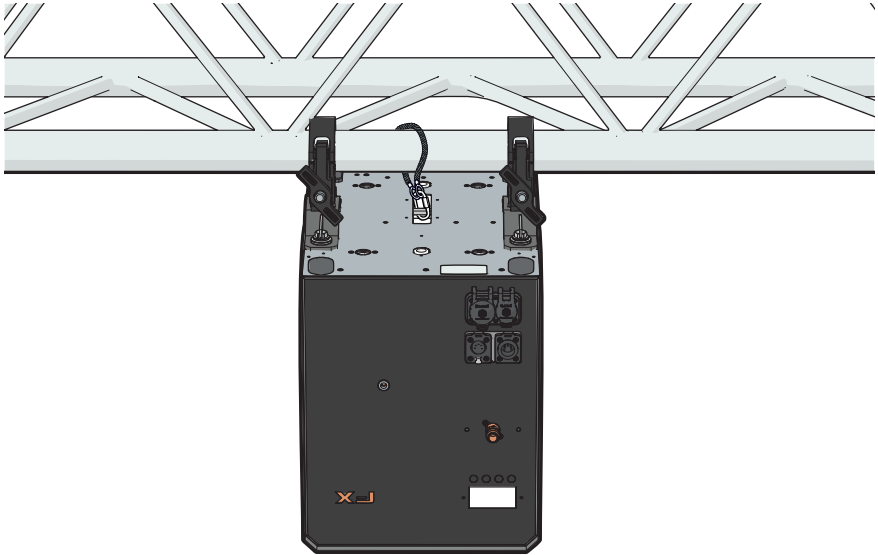
⚠ WARNING

Make sure the structure intended to hold the machine is calculated for the weight. Overhead rigging requires extensive experience in calculating load limits, installation materials, and performing periodic safety inspection. Only qualified personnel is allowed to perform this.

3. Secure the machine onto the truss with use of a safety steel. Make sure the safety steel is as short as possible. If needed, wind the steel around the truss to pull it tight.

CAUTION

The minimal workload of the safety steel and the emergency link needs to be calculated by qualified personnel.



NOTICE

The machine depicted is an example. The machine you install might differ.

4. TROUBLESHOOTING

Always contact MAGIC FX if any malfunctions or errors occur that cannot be solved with the instructions as described in this manual.

5. MAINTENANCE

To maximize the service life of the Omega Brackets, it's essential to follow a regular maintenance routine.

Regular cleaning

Dirt, dust, and debris can accumulate on the bracket over time, potentially causing corrosion or other damage. Regularly clean the bracket using a mild detergent solution and a soft cloth or brush. Avoid using abrasive materials or harsh chemicals that could damage the surface.

Functionality check

Test the functionality of the bracket regularly to ensure it is performing as intended. This may involve checking the attachment points, moving parts, or any other features specific to the bracket's design. If you notice any issues or abnormalities during testing, investigate further and make any necessary repairs or adjustments.

Environmental considerations

Consider the operating environment of the bracket. If the bracket is exposed to harsh conditions such as extreme temperatures, moisture, or corrosive substances, take extra precautions to protect it and increase its longevity. This may include applying protective coatings or installing additional shielding.

⚠ DANGER

Do not replace parts yourself; always consult MAGIC FX if necessary.

6. EC DECLARATION OF CONFORMITY

MAGIC FX B.V. declares as manufacturer and composer of the technical construction file that the product with the following specifications:

| | |
|----------------------------------|-------------------------|
| Name machine | : Omega Brackets (2pcs) |
| Type | : MFX1804 |
| Work Load Limit (single bracket) | : 145 kg 319.67 lbs |
| Serial number | : N/A |
| Year of construction | : on product |

Is in conformity with the minimal safety regulations as stated in the following directive(s):

- Directive 2006/42/EC Machinery Directive

The following harmonized standards were applied:

- NEN-EN-ISO 12100:2010 Safety of machinery - General principles for design - Risk assessment and risk reduction.
- NEN-EN 13155:2020 Crane - Safety - Non-fixed load lifting attachments

- Original declaration of conformity
- Translation of the original declaration of conformity

| | |
|-------------------|----------------------------------|
| Name manufacturer | : MAGIC FX B.V. |
| Address | : Schouwrooij 27, 5281 RE BOXTEL |
| Country | : The Netherlands |
| CEO | : B. Veroude |
| Date | : 30-04-2024 |
| Signature | |



MAG:CFX[®]

WWW.MAGICFX.EU

